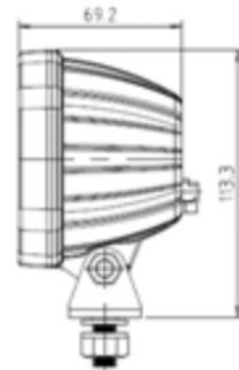
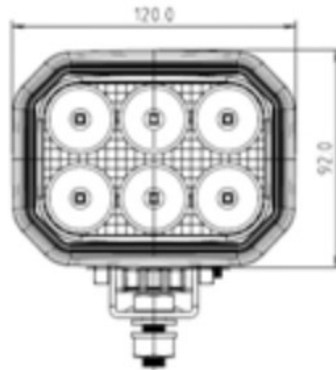


SKU:B6V35WF

## Base6 V35 Sniper Series

base6



### Specification

Input Voltage	9-32VDC
LEDs	6x 5W
Current Draw	1.9A @ 12V
Operating Temp	-40°C - 50°C
IP Rating	IP68
Beam Angle	Flood (B6V35WF) or Spot (B6V35WS)
Luminous Flux Rating	3000lm
Weight	0.90

### Features

The V35 Series with waterproof switch and handle. Aluminium housing, poly carbonate lens, stainless steel mounting hardware.

**OPTIONAL MAGNETIC BASE AVAILABLE.**

Applications – Work sites, 4WD, mine sites, road works, camping.

