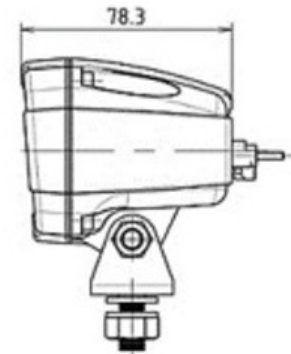
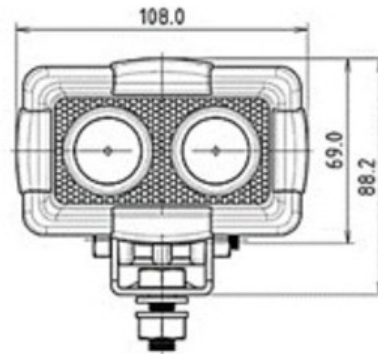


SKU:B6K210 Series

## Base6 Twin Shot LED Work Light

base6



### Specification

Input Voltage	9-32VDC
LEDs	2x 10W
Current Draw	.8A @ 12V
Operating Temp	-40°C - 50°C
IP Rating	IP68
Beam Angle	Flood / Spot
Luminous Flux Rating	1800lm
Weight	0.445

### SKU Part Numbers

- B6K210WF - Flood
- B6K210WS - Spot
- B6K210WMF - Marine Flood
- B6K210WMS - Marine Spot

### Features

The twin shot has an aluminium housing, poly carbonate lens and stainless steel mounting hardware.

Also available in the marine series featuring a marine specific coating to reduce the risk of rusting and water ingress

