

BASE6 AMBER - MINI LIGHTBAR - MULTI-MOUNT

SKU: B6MBAM-MM

Hard-mount Bracket + Magnetic Bracket Option

The BASE6 LED Mini Lightbar is designed to deliver Class1 360° emergency lighting coverage during the day or night, ensuring your safety on or off the road. This warning light is great for emergency vehicles, mining, postal service, construction vehicles, safety warning etc. 32 High-intensity LEDs with high visibility to deliver great vibrant colours (amber/red/blue). IP67 waterproof design ensures year-round functionality.



Specification

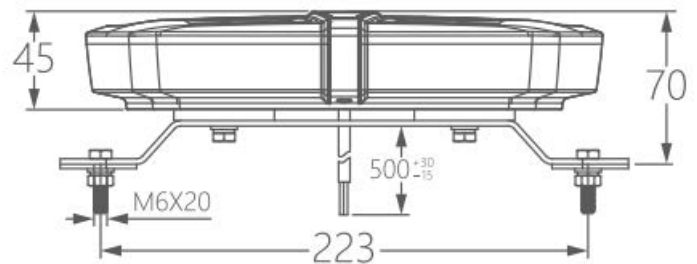
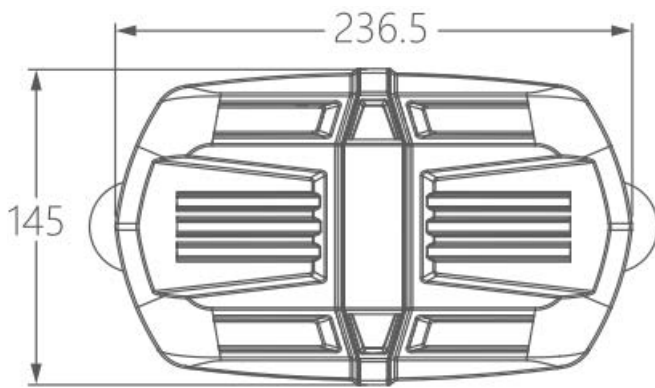
Input Voltage	12/24V
LEDs Per Unit	32 pcs
Current Draw	33w Peak
IP Rating	IP67
Flash Patterns	12
Operating Temp	-40c~ +65c
Single Colours	Amber, Blue, Red
Approvals	ECE R10/CISPR 25 Class3, ECE R65 Class 1/SAE J845 Class 1

Product Features

- 12 Flash Patterns
- 45mm Ultra-Slim body height
- 32LED Lightheads
- IP67 Waterproof
- SAE J845 Class 1 and CISPR 25 Class3 Certified

Variant SKU Part Numbers

- B6MBAM-MM - Amber
- B6MBBMBKT - Blue (MOQ Apply)
- B6MBRMBKT - Red (MOQ Apply)



Bracket Mount

Amber Mini Warning Lightbar - Surface Mount

SKU: B6MBAMBKT

Pattern	Flash Mode	Rate
1	Single Flash,ECE R65 Class 1 (by night)	125FPM
2	Single Flash	75FPM
3	Double Flash	125FPM
4	Triple Flash	125FPM
5	Rotating	-
6	Combination Single / Triple Flash	-
7	Combination Single / Qunit Flash	-
8	Triple Flash Alt. Front&Back / In&Out	-
9	Triple Flash / Single Flash Alt. Front&Back(Triple Flash) / In&Out(Triple Flash) / All(Single Flash)	-
10	Triple Flash / Single Flash / Rotating Alt. Back(Triple Flash) / Front(Triple Flash) / In(Triple Flash) / Out(Triple Flash) / All(Single Flash) / Roatating	-
11	Strobe	600 FPM
12	Cruise(30% brightness by night)	-

Colour	Function
Red	Positive(+)
Black	Negative(-)
Yellow	Pattern Switch to Pos(+)