

**mpower**™ **FASCIA**  
REDEFINE SAFETY

mpower Fascia is the first extremely compact, tri-color line of perimeter lighting on the market.

Fascia's next generation design and mounting options allows the light to be integrated nearly anywhere on the vehicle.



Quick and Stud Mounts



Screw Mount

**Quick Mount, Black Housing**

- 6 LED, Solid colors **#EMPS2QMS2(x)**
- 8 LED, Solid colors **#EMPS2QMS3(x)**
- 12 LED, Dual colors **#EMPS2QMS4(x)**
- 18 LED, Tri-Color, Red/Blue/Amber **#EMPS2QMS5RBA**
- 18 LED, Tri-Color, Red/Blue/White **#EMPS2QMS5RBW**

**Stud Mount, Black Housing**

- 6 LED, Solid colors **#EMPS2STS2(x)**
- 8 LED, Solid colors **#EMPS2STS3(x)**
- 12 LED, Dual colors **#EMPS2STS4(x)**
- 18 LED, Tri-Color, Red/Blue/Amber **#EMPS2STS5RBA**
- 18 LED, Tri-Color, Red/Blue/White **#EMPS2STS5RBW**

**Screw Mount, Black Housing**

- 6 LED, Solid colors **#EMPS2SMS2(x)**
- 8 LED, Solid colors **#EMPS2SMS3(x)**
- 12 LED, Dual colors **#EMPS2SMS4(x)**
- 18 LED, Tri-Color, Red/Blue/Amber **#EMPS2SMS5RBA**
- 18 LED, Tri-Color, Red/Blue/White **#EMPS2SMS5RBW**

**Replace (x) in the Order Number for Standard LED Color Selection**

- 6 LED, Solid colors: A = ● B = ● R = ● W = ●
- 8 LED, Solid colors: A = ● B = ● R = ● W = ●
- 12 LED, Dual colors: D = ● E = ● F = ● J = ●
- 18 LED, Tri-colors - Blue/Red/Amber: RBA = ● Blue/Red/White: RBW = ●

**Quick Mount**



- Installs with 3M VHB adhesive
- No exposed fasteners
- VHB seal light to vehicle

**Stud Mount**



- Installs with threaded studs and nuts
- No exposed fasteners
- Three holes drilled into vehicle
- Full silicone seal light to vehicle

**Screw Mount**



- Installs with two screws
- Screws are exposed after installation
- Three holes drilled into vehicle
- Silicone seal light to vehicle

**Features**

- Dual and Tri-color capability
- Ability to integrate visually into today's police vehicles
- Collaboration with Dow Corning® to develop ClearDuty™ optical design
- ClearDuty molded one-piece housing and optic design delivers advantages over conventional polycarbonate lenses
  - ~ A smaller footprint with maximized candela output
  - ~ Greater resistance to gravel pitting, scratching or cracking
  - ~ Improved sealing to prevent water from entering light
  - ~ Higher UV and thermal stability to prevent lens from yellowing over time

*For configured products, bracket accessories and technical specifications, refer to the back of this flyer.*

●●●●● mpower PRODUCTS CAN BE CONFIGURED to meet your needs.

### CONFIGURED FEATURES

- White housing
- Solid green LED color or combined with other available colors
- Amber LED color combined with red, blue and white LED colors
- White LED color combined with red or blue LED colors

### CONFIGURED PART NUMBERS

Quick Mount	Stud Mount	Screw Mount
#EMPC2QMS2.....6 LED	#EMPC2STS2 .....6 LED	#EMPC2SMS2 .....6 LED
#EMPC2QMS2.....8 LED	#EMPC2STS3 .....8 LED	#EMPC2SMS3 .....8 LED
#EMPC2QMS2.....12 LED	#EMPC2STS4 .....12 LED	#EMPC2SMS4 .....12 LED
#EMPC2QMS2.....18 LED	#EMPC2STS5 .....18 LED	#EMPC2SMS5 .....18 LED

### CONFIGURED COLOR CODES

#### Solid Color Codes

- Amber ..... A
- Blue..... B
- Green ..... G
- Red..... R
- White ..... W

#### Dual Color Codes

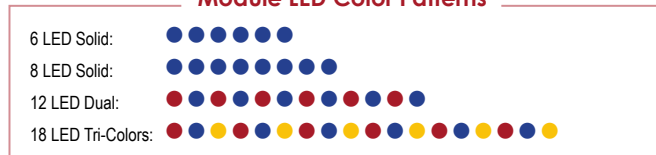
- Red/White..... D
- Blue/White..... E
- Amber/White ..... F
- Green/White..... H
- Red/Blue ..... J
- Red/Amber..... K
- Red/Green ..... L
- Blue/Amber..... M
- Blue/Green ..... N
- Green/Amber..... P

#### Tri-Color Codes

- Blue/Amber/Green ..... BAG
- Blue/Amber/White .... BAW
- Blue/Green/White ..... BGW
- Green/Amber/White.. GAW
- Red/Amber/Green ..... RAG
- Red/Amber/White ..... RAW
- Red/Blue/Amber..... RBA
- Red/Blue/Green ..... RBG
- Red/Blue/White..... RBW
- Red/GreenWhite..... RGW

Visit [www.soundoffsignal.com/wp-content/uploads/fascia-light.pdf](http://www.soundoffsignal.com/wp-content/uploads/fascia-light.pdf) for a configurable order form.

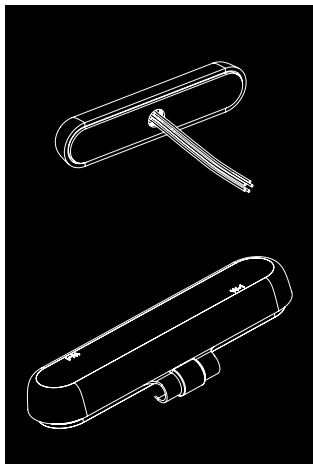
### Module LED Color Patterns



### Mounting Accessories

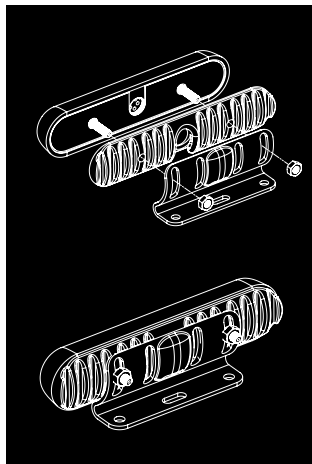
**QUICK CLIP**  
Use with Quick Mount Light

#PMP2BKQCLP



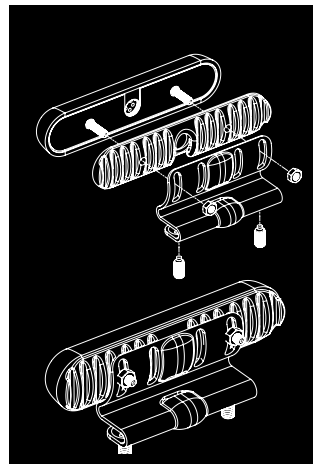
**90 DEGREE WITH  
± 15 DEGREES OF ADJUSTMENT**  
Use with Stud Mount Light

#PMP2BKDGJ



**90 DEGREE EDGE WITH  
± 15 DEGREES OF ADJUSTMENT**  
Use with Stud Mount Light

#PMP2BKEDGE



### Technical Specifications

FLASH PATTERNS	12 Single color patterns, 14 Dual or 14 Tri-color patterns
INPUT VOLTAGE	9-32 Vdc
CURRENT DRAW	< 1.0 Amps @ 12.8Vdc, < 0.5 Amps @ 25.6Vdc
LIGHT SYNC	24
OPERATING TEMPERATURE	-40° C to +65° C
DIMENSIONS	Quick: 4.04"(10.3cm) L x 0.92" (2.3cm) H x 0.47" (1.2cm) D (from mounting surface) Stud: 4.04"(10.3cm) L x 0.92" (2.3cm) H x 0.42" (1cm) D (from mounting surface) Screw: 4.52"(11.4cm) L x 0.92" (2.3cm) H x 0.42" (1cm) D (from mounting surface)
CERTIFICATIONS	SAE J595 and J845 Class 1 certified and CA Title 13, Article 22 compliant
WARRANTY	Five-year