

# FLUX



Choice of 3 lighting options up to 2350 lumens; > 350 lux @ 1 metre



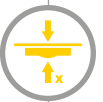
Anti-glare light guide



100% dimmable



Trauma & night light options



Slim, low profile surface mount design – only 11 mm



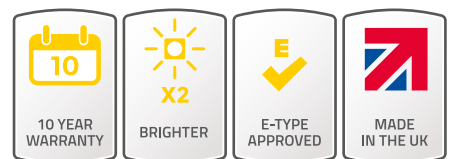
CEN compliant units available



TECHNICAL SPECS OVERLEAF   
APRIL 2016



DESIGNED FOR MULTI-SECTOR APPLICATIONS



# FLUX

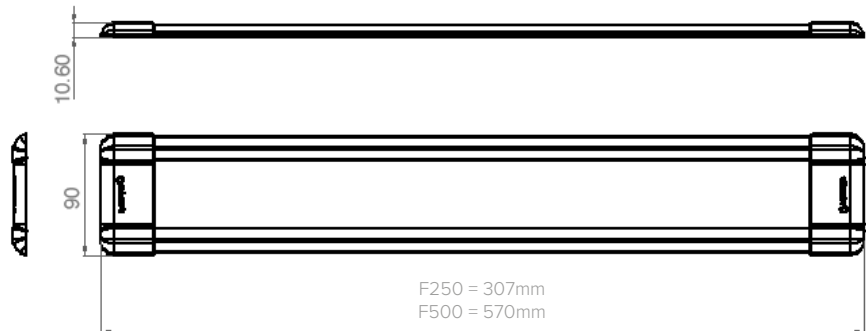
**Choice of 3 lighting levels; 587, 1175 & 2350 lumens** – High output Cree LED technology produces a clean white light and creates a safe environment for both working and leisure conditions.

**Anti-glare light guide** – The acrylic LGP offers a unique patented anti-glare light guide which disperses the light evenly avoiding any hotspots, and provides a cleaner and sharper field of light.

**Trauma & dimmable options** – A chain of blue or red LEDs at both ends provides ample illumination for trauma conditions. The Flux is 100% dimmable when used in conjunction with a pulse width modulator allowing full control over the level of light required.

**Slim, low profile design** - The Flux is less than 11mm in depth providing an extremely slim surface mounted LED lighting solution thereby eliminating the requirement for cutting out recesses, thereby saving on installation time and cost.

**CEN standard available.**



SPECIFICATION		ALL DIMENSIONS HAVE A TOLERANCE OF +/-1mm			
	12VDC	<b>F250-24 (12V)</b>	<b>F500-48 (12V)</b>	<b>F500-96 (12V)</b>	<b>F500-96T (12V)</b>
Voltage Range	VDC	10-15	10-15	10-15	10-15
Average Current	A	0.63	1.22	2.5	2.6
Light Output	lm	587	1175	2350	2350
Watts	W	7.5W	15W	30W	31W
Weight	kg	0.25	0.53	0.54	0.55
Temp. Range	°C	-30 to +40	-30 to +40	-30 to +40	-30 to +40
IP Rating	IP	IP50	IP50	IP50	IP50
	24VDC	<b>F250-24/2 (24V)</b>	<b>F500-48/2 (24V)</b>	<b>F500-96/2 (24V)</b>	
Voltage Range	VDC	20-28	20-28	20-28	
Average Current	A	0.31	0.63	1.3	
Light Output	lm	587	1175	2350	
Watts	W	7.5W	15W	30W	
Weight	kg	0.25	0.53	0.54	
Temp. Range	°C	-30 to +40	-30 to +40	-30 to +40	
IP Rating	IP	IP50	IP50	IP50	

E & OE

