

Combination Lamps Small Vehicle/Trailer

- Individual lens replacements
- Shock, dust & water proof
- 5 Year warranty



Part Number

80BARR - 12 Volt, Blister single

80BARRM - Multivolt 12-24V, Blister single

Order Separately

80B3B - Black Bracket, Bulk

80AMB - Indicator, Bulk

80RMB - Stop/tail, Bulk

Function	Stop/Tail/Indicator		
Size	278mm x 100mm x 28mm		
Voltage	12 Volt and Multivolt 12-24V		
LED Qty	108		
Cable	40cm cable		

Draw	Stop	Tail	Indicator
@13.8V	0.33A	0.06A	0.29A
@28V	0.25A	0.04A	0.22A

Approvals	Function	Category	CRN
ADR	Stop/Tail	49/00	33059
ADR	Indicator	6/00/2A	33098



Part Number

80BARW - 12 Volt, Blister single

80BARWM - Multivolt 12-24V, Blister single

Order Separately

80B3B - Black Bracket, Bulk

80AMB - Indicator, Bulk

80RMB - Stop/tail, Bulk

80WMB - Reverse, Bulk

Function	Stop/Tail/Indicator/Reverse			
Size	278mm x 100mm x 28mm			
Voltage	12 Volt and Multivolt 12-24V			
LED Qty	97			
Cable	40cm cable			

Draw	Stop	Tail	Ind	Rev
@13.8V	0.33A	0.06A	0.29A	0.17A
@28V	0.25A	0.04A	0.22A	0.21A

Approvals	Function	Category	CRN
ADR	Stop/Tail	49/00	33059
ADR	Indicator	6/00/2A	33098
ADR	Reverse	1/00	35797

Fitting Instructions

Horizontally mount onto flat surface with screws provided, run wires through back and clip lens into place. Please refer to ADR 13/00

Accessories

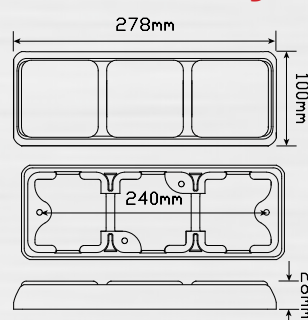
80B3B - Black Bracket

80AMB - Indicator

80RMB - Stop/tail

80WMB - Reverse

Technical Drawings



Blister Packaging



Chrome Surround Combination Lamps

- Individual lens replacements
- Shock, dust & water proof
- 5 Year warranty



Part Number

- 80CARR** - 12 Volt, Blister single
- 80CARRM** - Multivolt 12-24V, Blister single

Function	Stop/Tail/Indicator		
Size	278mm x 100mm x 28mm		
Voltage	12 Volt and Multivolt 12-24V		
LED Qty	108		
Cable	40cm cable		
Draw	Stop	Tail	Indicator
@13.8V	0.33A	0.06A	0.29A
@28V	0.25A	0.04A	0.22A
Approvals	Function	Category	CRN
ADR	Stop/Tail	49/00	33059
ADR	Indicator	6/00/2A	33098



Part Number

- 80CARW** - 12 Volt, Blister single
- 80CARWM** - Multivolt 12-24V, Blister single

Function	Stop/Tail/Indicator/Reverse			
Size	278mm x 100mm x 28mm			
Voltage	12 Volt and Multivolt 12-24V			
LED Qty	97			
Cable	40cm cable			
Draw	Stop	Tail	Ind	Rev
@13.8V	0.33A	0.06A	0.29A	0.17A
@28V	0.25A	0.04A	0.22A	0.21A
Approvals	Function	Category	CRN	
ADR	Stop/Tail	49/00	33059	
ADR	Indicator	6/00/2A	33098	
ADR	Reverse	1/00	35797	

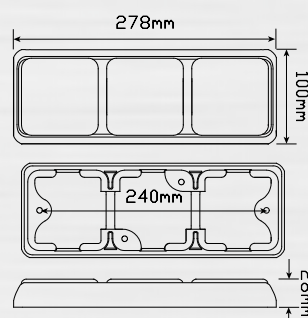
Fitting Instructions

Horizontally mount onto flat surface using screws provided, run wires through back and clip lens into place. Please refer to ADR 13/00

Accessories

- 80AMB - Indicator
- 80RMB - Stop/tail
- 80WMB - Reverse

Technical Drawings



Blister Packaging



Combination Lamps Small Vehicle/Trailer

- Individual lens replacements
- Shock, dust & water proof
- 5 Year warranty



Part Number

80BARRSKT - 12 Volt, Blister twin pack

- 90° Angle bracket design

Function	Stop/Tail/Indicator		
Size	280mm x 110mm x 29mm		
Voltage	12 Volt		
LED Qty	97		
Cable	40cm cable		

Draw	Stop	Tail	Indicator
@13.8V	0.33A	0.06A	0.29A
@28V	0.25A	0.04A	0.22A

Approvals	Function	Category	CRN
ADR	Stop/Tail	49/00	33059
ADR	Indicator	6/00/2A	33098



Part Number

80BARWSKT - 12 Volt, Blister twin pack

- 90° Angle bracket design

Function	Stop/Tail/Indicator/Reverse			
Size	280mm x 110mm x 29mm			
Voltage	12 Volt			
LED Qty	97			
Cable	40cm cable			

Draw	Stop	Tail	Ind	Rev
@13.8V	0.33A	0.06A	0.29A	0.17A
@28V	0.25A	0.04A	0.22A	0.21A

Approvals	Function	Category	CRN
ADR	Stop/Tail	49/00	33059
ADR	Indicator	6/00/2A	33098
ADR	Reverse	1/00	35797

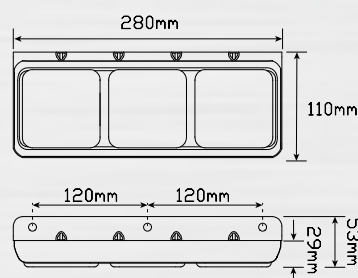
Fitting Instructions

Mount 90° bracket to the underside of vehicle horizontally to the ground with screws provided. Please refer to ADR 13/00 for mounting instructions.

Accessories

- 80B3B - Black Bracket
- 80AMB - Indicator
- 80RMB - Stop/tail
- 80WMB - Reverse

Technical Drawings



Blister Packaging

