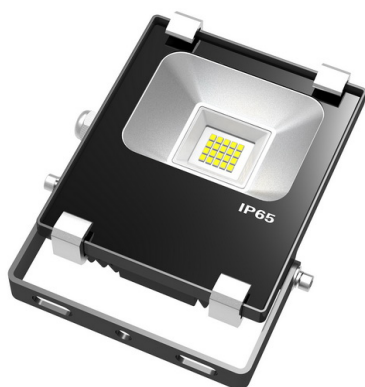


10W LED FLOOD LIGHT

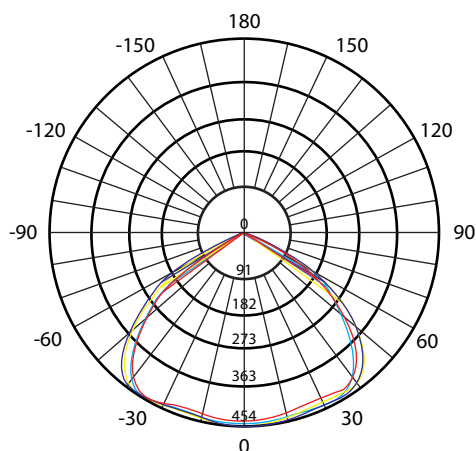
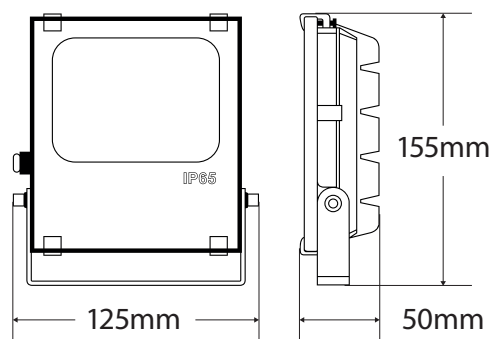


PRODUCT OVERVIEW

Input Voltage	220 ~ 240V
Power Consumption	10W
CCT	5500 ~ 6000K
CRI	Ra≥67
IP Class	IP65

SPECIFICATIONS

Equivalent to (W)	30 ~ 50W
Wattage (W)	10W
Lumen Output (lm)	1,390Lm
Lamp Efficiency (lm/W)	130Lm/W
Voltage (V)	220 ~ 240V
On/Off Cycles (30Sec on/off)	20,000
Beam Angle	90°
Operating Temperature (°C)	-20 ~ 60°C
LED Life Span	50,000 hours
Colour Description	Cool White
Colour Temperature (K)	5500 ~ 6000K
Colour Rendering Index (Ra)	≥67
Warranty	3 years
Size (mm)	125 x 50 x 155mm
Dimmable	No
Weight (kg)	0.9kg
Respirator	No
Certification	SAA C-TICK CE



KEY FEATURES

Warranty	3 years
Power Saving	60% less energy consumption
Life Span	50,000 hours
Housing	High quality aluminium, oversized Fin cooling module, high coupling protection with high waterproof level
Instant	No warm up time
CRI	High CRI = better representation of colour spectrum
Low Heat	Highly efficient heat dissipation - safe to touch housing temperature with optical grade PMMA lens
Clean Light	Contains no mercury or hazardous materials (RoHS compliant) Emits no UV or IR radiation
Low Maintenance	Lower facility maintenance & repair costs
Other	Adopted SMD high light emitting diode, high light effect, wide beam angle 120°