

© MICROLUX / SUPERLUX (SI3_2)

- © Choice of 320 & 568 lumens
- © Multi-voltage (10-32V)
- © Waterproof to IP67
- © Low profile design - only 15mm
- © E-type approved



Internal View



Made in the UK

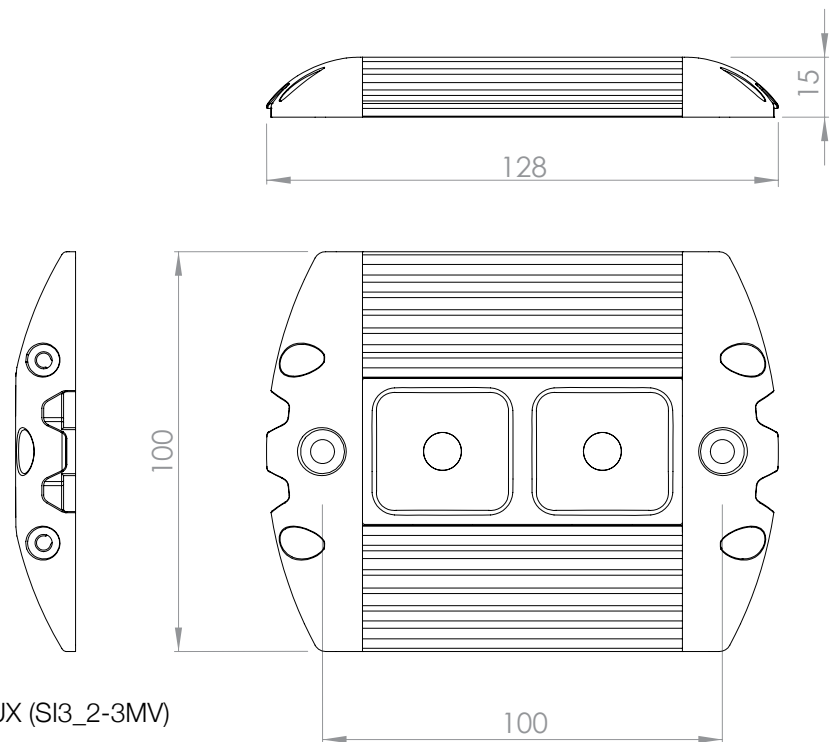
See technical specs overleaf >>>

Labcraft Ltd:

Thunderley Barns, Thaxted Road,
Wimbish, Essex, CB10 2UT
T: +44 (0)1799 513434
F: +44 (0)1799 513437
E: sales@labcraft.co.uk
w: www.labcraft.co.uk



- Long life, high intensity Cree LEDs** - The Microlux will give you 320 lumens of clean white light and creates a safe working environment. The Superlux is even brighter at 568 lumens.
- Multi-voltage (10-32V)** - Engineered to suit a broad range of vehicles and their voltages, the circuitry can withstand changes in voltage and will provide a constant light output.
- Waterproof to IP67** - Both units are suitable for installation in a variety of environments, including refrigerated vehicles.
- Easy to install low profile design** - At just 15mm deep, this light can be fitted in a multitude of applications.



MICROLUX (SI3_2-1MV)

SUPERLUX (SI3_2-3MV)



Specification

ALL DIMENSIONS HAVE A TOLERANCE OF +/-1mm

		SI3_2-1 MV	SI3_2-3 MV
Voltage Range	VDC	10-32V	10-32V
Average Current	A	12V = 0.22 24V = 0.12	12V = 0.45 24V = 0.24
Light Output	lm	320	568
LED Power	W	2.5W	5W
Weight	kg	0.165	0.165
Temp. Range	°C	-30 to +40	-30 to +40
IP Rating	IP	IP67	IP67

E & OE