

LED WORKLITE (SI4)

- Long life, high intensity Cree LEDs; IP67 rated
- Safe working environment (20 lux)
- 80% less energy than halogen
- Magnetic mounted version available
- E-type approved



Internal View



Made in the UK

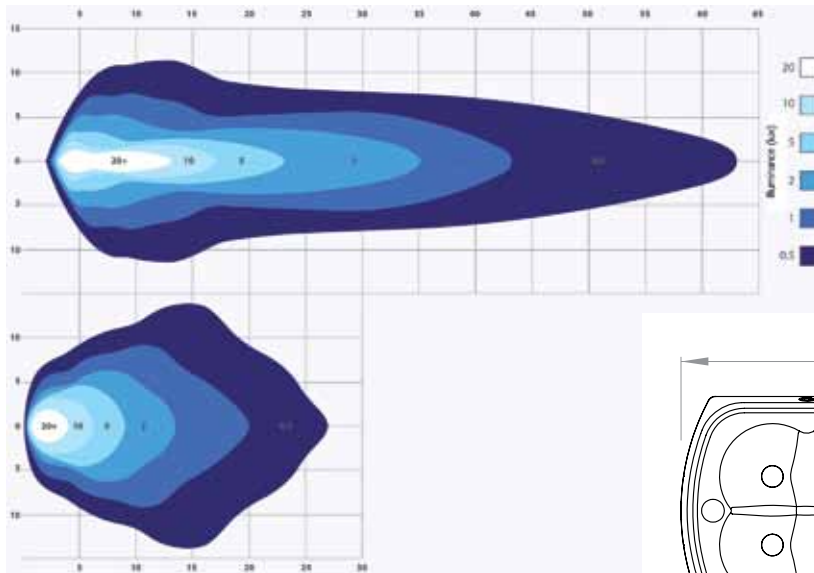
See technical specs overleaf >>>

Labcraft Ltd:

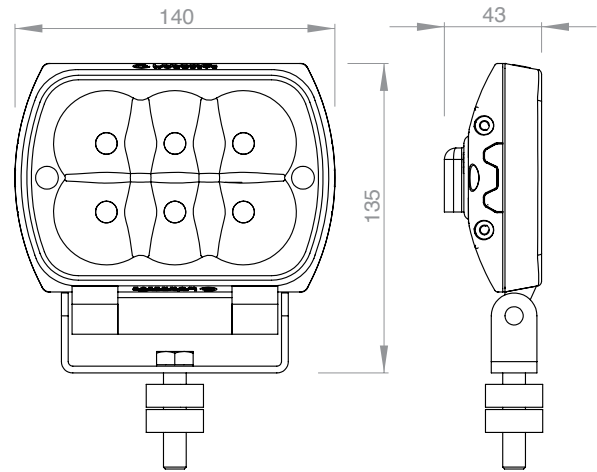
Thunderley Barns, Thaxted Road,
Wimbish, Essex, CB10 2UT
T: +44 (0)1799 513434
F: +44 (0)1799 513437
E: sales@labcraft.co.uk
w: www.labcraft.co.uk



- Long life, high intensity Cree LEDs - Using the very best in LED technology, the SI4 produces a clean white light which creates a safe working environment.
- Safe working environment (20 lux) - Possibly the only LED work light to provide 20 lux of pure white light, resulting in less fatigue and fewer accidents.
- 80% less energy than halogen work lights - 988 lumens at only 13W, giving you more light for longer.
- Magnetic mounted version available - The Magnetic Worklite comes with a polyurethane coated magnet, which protects your paintwork, and a retractable cable, which plugs into your 12V vehicle socket.
- Waterproof to IP67 - The tough outer enclosure provides sufficient protection against water ingress.



MAGNETIC LED WORKLITE (SI4M)



Specification

ALL DIMENSIONS HAVE A TOLERANCE OF +/-1mm

		SI4_6-3MV30	SI4_6-3MV90
Beam Angle	°	30 (trapezoid)	90 (flood)
Voltage Range	VDC	10 to 32	10 to 32
Average Current	A	12V = 1.1 24V = 0.55	12V = 1.1 24V = 0.55
Light Output	lm	1300	1300
LED Power	W	10.5W	10.5W
Weight	kg	0.5	0.5
Temp. Range	°C	-30 to +40	-30 to +40
IP Rating	IP	IP67	IP67

E & OE