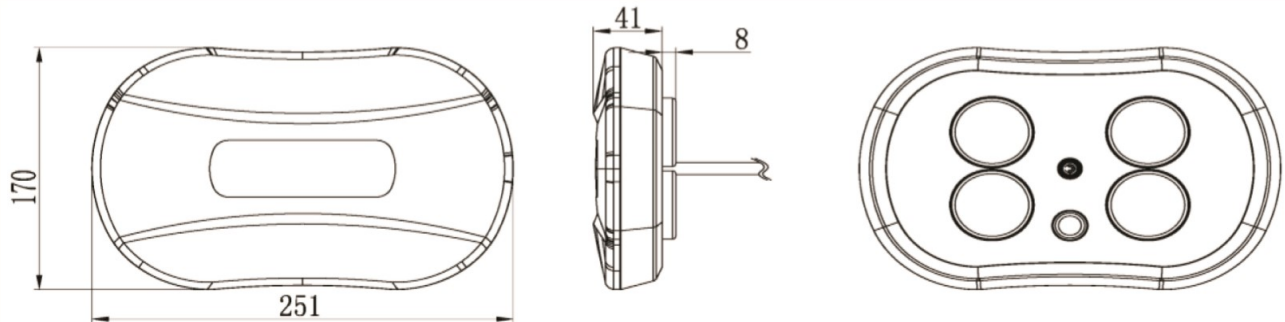


SKU:B6MBAKM

Amber Warning Lamp LED



Specification

Input Voltage	12-24VDC
Current Draw Max	1.15A@12VDC
Operating Temp	-15°C to 60°C
Mounting	Magnetic, Stud, Bracket (All Included)
Flash Pattern	20 Flash Patterns
LED Type	40x 0.5W LED Amber

Features



- Super low profile reducing wind drag and noise.
- Long life LEDs rated to 100,000 hours of reliable operation.
- ECE R65 Class 1 - EMC R10/SAE J84
- Reverse polarity protection.
- Weather protected with an IP rating of IP67 and vibration resistant.
- Solid Housing for added protection.
- Features a Cig Plug for user friendly operation.



SKU:B6MBAKM

Amber Warning Lamp LED



Flash Patterns

1	Single	11	Combination of (Alternating, - strobe -rotate)
2	Double	12	Single (Alternating)
3	Quad	13	Double (Alternating)
4	Strobe	14	Quad (Alternating)
5	Rotating @ 180RPM	15	Strobe (Alternating)
6	Combination of (1 / 2 / 4)	16	Single (Alternating)
7	Ten	17	Ten (Alternating)
8	Single Ten	18	Double (Alternating, Slow-Fast)
9	Strobe Single	19	Quad (Alternating, Slow-Fast)
10	Rotate	20	Combination of (3 - 14)

For hardwire application:

Touch the yellow wire to the positive to change to next flash pattern. If you have 2 Microbars set to the same pattern, connect the yellow wires together to synchronise the lights.

Cig Plug style:

1st Switch - on/off

2nd Switch - Pattern change



SKU:B6MBAKM

Amber Warning Lamp LED



- Optional Extra B6BBCONMB mounting bracket

