

SKU:B6K85W

K8 Sniper Work Light

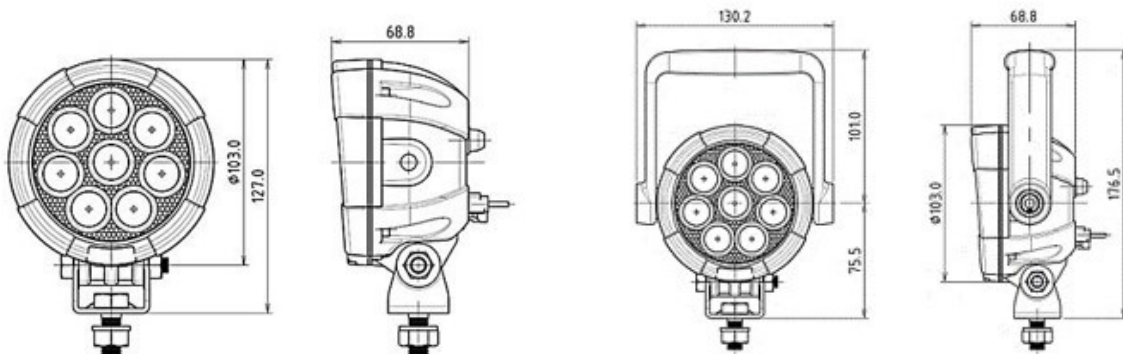
base6

Features

- 5 watt genuine CREE LED chips
- Polycarbonate lenses
- Heavy Duty powder coated aluminium housings
- Deutsch Connector
- PWM Thermal and power management



Mount	Standard Mount, U Mount (Handle with Switch)
Lumen Output	3,200
Voltage	9-32VDC
Current Draw	1.35 A @ 12v
Number of LEDs	8
Beam Angle	Flood, Spot
LED Wattage	5 watt
IP Rating	68
Working Temperature	-40°C to 50°C
Vibration (G)	8.6



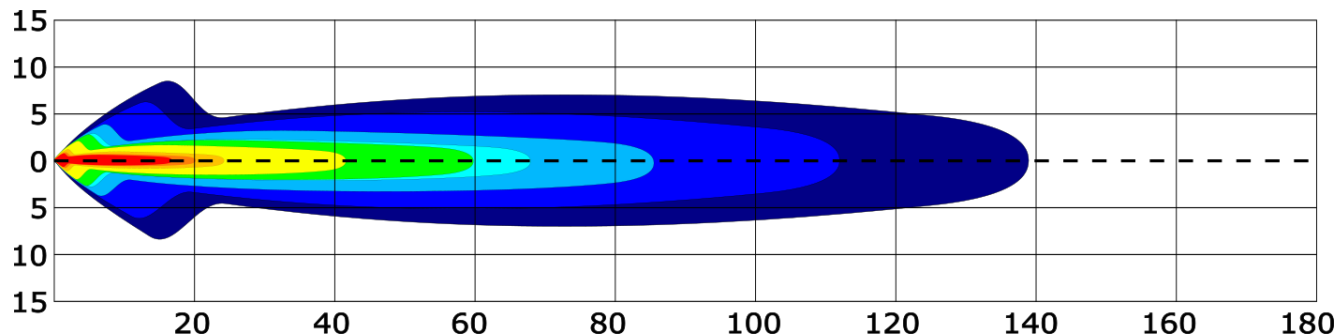
SKU:B6K85W

K8 Sniper Work Light

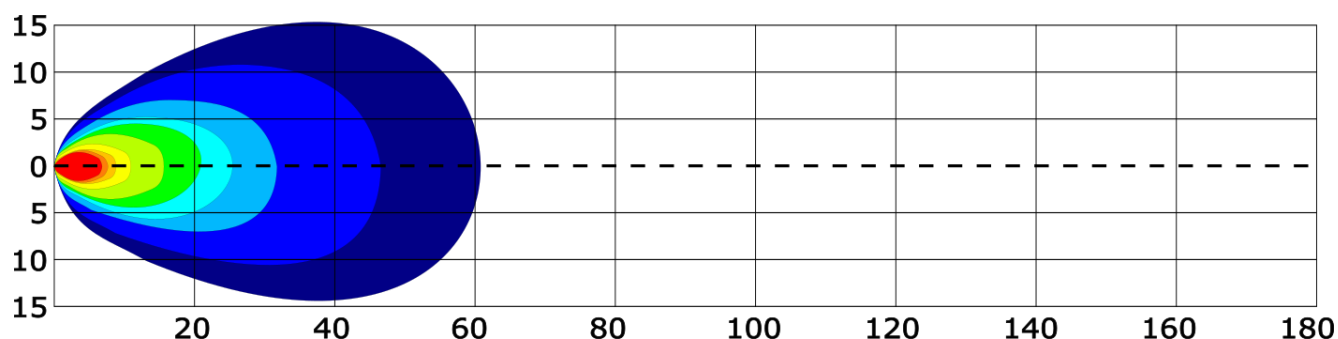


Photometric Diagrams

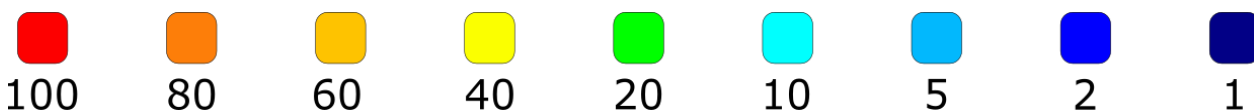
Spot



Flood



Lux Scale



The Sniper K8 is available in Spot or Flood Pattern. Base 6 have build a reputation for producing high quality LED products that will stand the test of time. The use of quality materials, excellent R & D, attention to detail and quality assurance ensure your investment will provide years of trouble free use. We back this with a 5 year warranty for your piece of mind. The range includes Lightbars, Driving Lights, Emergency products and much more.

